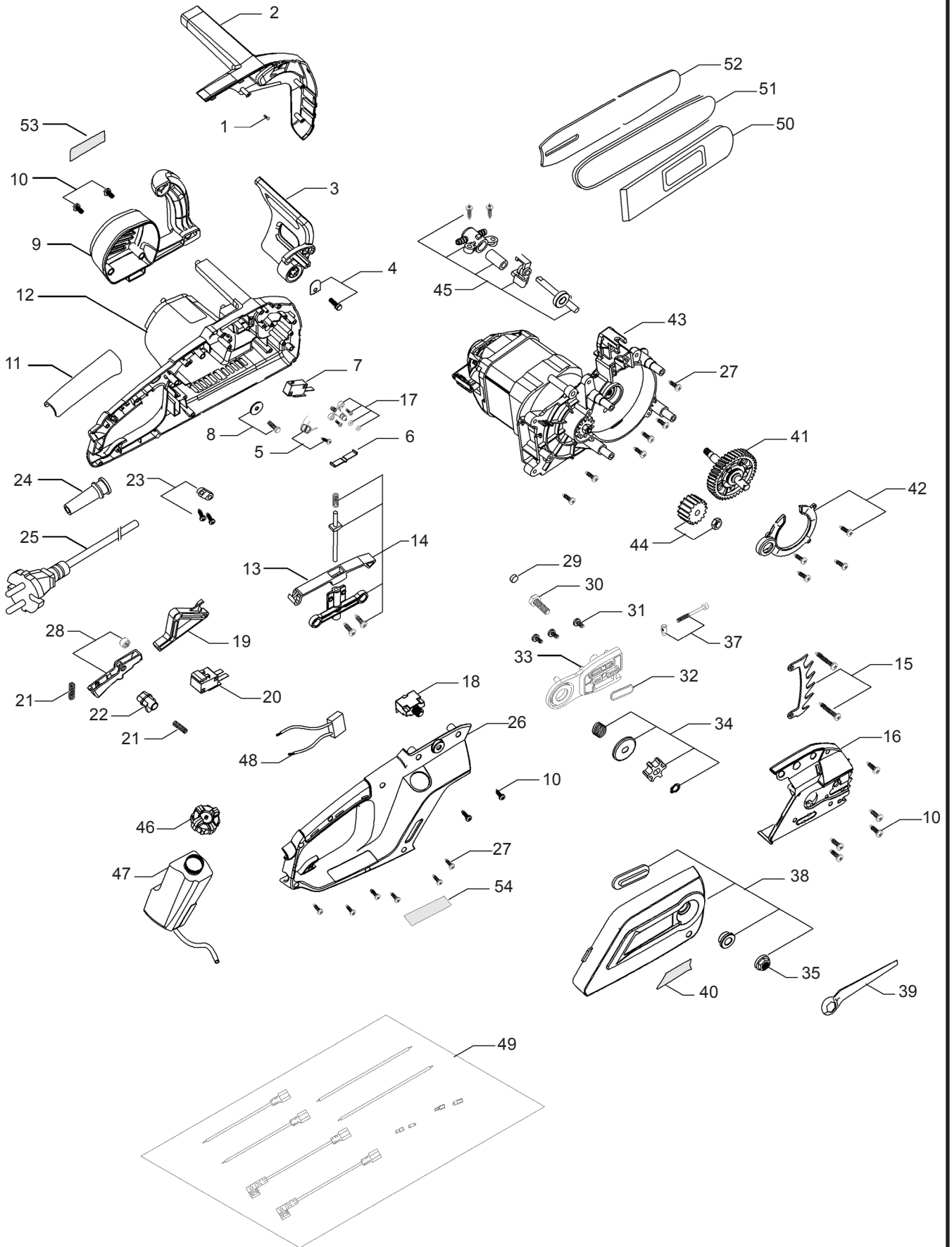


600 Series Tooled Tensioner

IPL, McCulloch, Powermac Plus 1800 9648302-01, 9648302-02, Partner P616 9648307-01, P620 9648308-01, 2008-01



## 600 Series Tooled

IPL, McCulloch, Powermac Plus 1800 9648302-01, 9648302-02, Partner P616 9648307-01, P620 9648308-01, 2008-01

Item	Part Number	Description	Qty	Note
1	5054688-01	Screw pack x 4	1	
2	5054689-01	Handle Cover LHS	1	
3	5054721-01	Chain Brake Lever	1	
4	5055310-01	Retainer Kit - Brake Lever	1	
5	5054668-01	Spring Kit	1	
6	5054693-01	Plate spring	1	
7	5054694-01	Micro Switch	1	
8	5054669-01	Washer Kit - Brake Lever	1	
9	5054695-01	Cover Motor	1	
10	5054670-01	Screw Pack x 9	1	
11	5054696-01	Grip Handle	1	
12	5054697-01	Clamshell LHS	1	
13	5054698-01	Actuator Switch	1	
14	5054671-01	Stop Pin Assy	1	Inc 13
15	5054672-01	Spike	1	
16	5054699-01	Bar Support	1	
17	5054673-01	Nozzle Assy Oil	1	
18	5054700-01	Overload Protector	1	
19	5054701-01	Connector Arm	1	
20	5054702-01	Switch	1	
21	5054674-01	Spring x 2	1	
22	5054703-01	Button Safety	1	
23	5055608-01	Cable Clamp Kit	1	
24	5054704-01	Sleeve Protection	1	
25	5055619-01	Power Cord	1	EU
	5051058-01	Power Cord	1	CH
26	5054706-01	Clamshell RHS	1	
27	5055592-01	Screw Kit x 2	3	
28	5054676-01	Lever Switch & Roller Assy	1	
29	5054722-01	Plug Rubber	1	
30	5054708-01	Bar Stud	1	
31	5054709-01	Screw Pack x 6	1	
32	5055589-01	Oil Seal	1	
33	5054677-01	Mount Plate Assy	1	Inc 29 to 32
34	5055590-01	Drive Gear Kit	1	
35	5055584-01	Bar Adjustment Nut	1	
37	5055336-01	Chain Adjustment Kit	1	
38	5055334-01	Chain Cover Assy	1	
39	5055583-01	Wrench	1	
40	5051969-01	Label Kit RHS	1	
41	5054715-01	Output Shaft Assy	1	
42	5054683-01	Gear Box Cover Kit	1	
43	5054717-01	Motor Assy	1	
44	5054718-01	Gear Kit	1	
45	5054684-01	Oil Pump Assy	1	
46	5054719-01	Oil Cap Assy	1	
47	5054685-01	Oil Tank Assy	1	Inc 46
48	5055299-01	Capacitor	1	
49	5054687-01	Wiring Kit	1	
50	5300475-13	Blade Sheath 16"	1	
51	5310241-28	Chain 16"	1	
51	5310241-22	Chain 14"	1	
52	5310242-37	Bar 16"	1	
52	5310242-26	Bar 14"	1	
53	5051974-01	Label Kit LHS	1	
54	5055337-01	Label Warning	1	

Publication Number:

AP0801002